

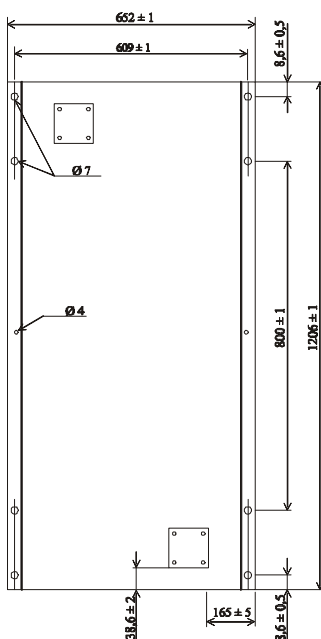


I-94

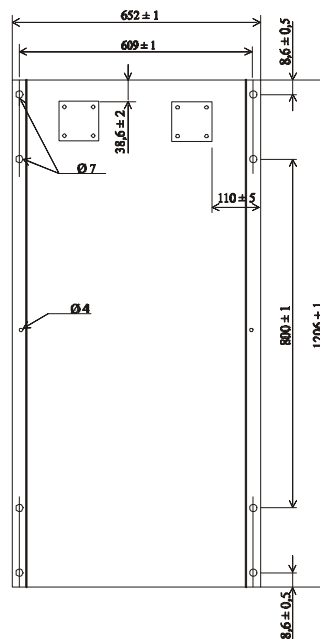
Photovoltaic module

CHARACTERISTICS	I-94/12	I-94/24
PHYSICAL		
Length	1206 mm	
Width	652 mm	
Thickness	33,8 mm	
Weight	10 kg	
Number of cells in series	33	66
Number of cells in parallel	2	1
NOCT (800 W/m ² , 20 °C, AM 1.5, 1m/s)	47 °C	
ELECTRICAL (1000 W/m², 25 °C cell, AM 1.5)		
Nominal voltage (V _n)	12 V	24 V
Maximum power (P _{max})	94 W _p ± 10 %	
Short-circuit current (I _{sc})	6,54 A	3,27 A
Open circuit voltage (V _{oc})	19,8 V	39,6 V
Maximum power current (I _{max})	5,88 A	2,94 A
Maximum power voltage (V _{max})	16 V	32 V
CONSTRUCTIVE		
Cells	Single-crystal Si, chemically textured and antireflectivity layered	
Contacts	Redundant contacts on each cell for circuit reliability	
Laminate	EVA (ethylene vinyl acetate)	
Front face	Tempered glass with improved light transmission	
Back face	Tough multi-layered backsheet Tedlar	
Frame	Anodised aluminium frame	
Connection boxes	2 x IP 65 with built-in bypass diodes	
Grounding connection	Yes	
Specifications	IEC 61215 and Class II by TÜV certificate	

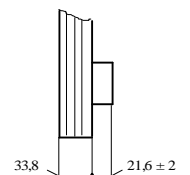
5th Ed. 12/2000



I-94/12 BACK SIGHT



I-94/24 BACK SIGHT



SECTION

