



Battery Range Summary

The ever-increasing transmission of digital data inevitably forces telecom companies to add more equipment in already highly dense communication rooms. The extra heat generated increases the demand on cooling which invariably places operators under further financial burden. To assist in the management of these additional costs by providing a solution for reducing their total cost of ownership, EnerSys® has developed the next generation of its industry-leading Thin Plate Pure Lead (TPPL) products.

The PowerSafe® SBS XL range of front terminal batteries has been specifically developed to operate at high temperatures in stable grid float applications. The outstanding 10 year design life at 35°C gives operators the freedom to reduce both capital costs by investing in cheaper cooling methods (such as free cooling) as well as operating costs by raising air conditioning set points.

Unlike conventional VRLA AGM technology telecom batteries, PowerSafe SBS XL 80F, SBS XL 80F-FT, SBS XL 150F-FT and SBS XL 170F-FT 12 volt monoblocs are an innovative and genuine high temperature resilient, long life battery solution designed to deliver significant savings to the industry. Once again, EnerSys demonstrates its commitment to customers by providing high performance, reliable application-specific products to satisfy the expanding scope of the reserve power marketplace.

Features & Benefits

- **Pure lead technology for longer life at higher operating temperatures: 10 year design life at 35°C**
- **Wide operating temperature range of -40°C to +65°C**
- **Developed for stable grid float applications**
- **Classic industry-standard footprints**
- **Front terminal design for ease of installation and maintenance**
- **24 months storage life at 20°C for maximum flexibility in project deployment**

Construction

- Proven Thin Plate Pure Lead (TPPL) grid technology for optimised corrosion resistance at high operating temperatures
- Negative plates provide perfect balance with positive plates to ensure optimum recombination efficiency
- Superior quality microporous glass mat separator with high absorption and stability
- Containers and lids in UL94 V-0 rated flame retardant PC/ABS material, highly resistant to elevated temperatures, shocks and vibrations
- High grade dilute sulphuric acid for extended float life at high temperatures
- Proven high integrity, leak resistant, dual-seal terminal design
- Self-regulating pressure relief valves prevent ingress of atmospheric oxygen

- Integral flame arrestors for increased operational safety
- Robust rope handles for ease of handling

Installation & Operation

- PowerSafe® SBS XL monoblocs are designed for installation in cabinets or on stands, close to the point of use. A separate battery room is not necessary
- Blocs should be installed on their base or horizontally on their longest sides
- Recommended float charge voltage: 2.27Vpc at 35°C (2.29Vpc at 20°C)
- Wide operating temperature range: -40°C to +65°C
- 24 months shelf life at 20°C (12 months at 30°C)
- Low maintenance: no water addition required

Standards

- Designed to be compliant with the requirements of international standard IEC 60896-21/22
- Classified as "Very Long Life" according to Eurobat guide
- UL recognised component
- Classified as non-spillable and approved as non-hazardous cargo for ground, sea and air transportation in accordance with the requirements of IMDG (International Maritime code for Dangerous Goods) and ICAO (International Civil Aviation Organisation)
- The management systems governing the manufacture of PowerSafe SBS XL products are ISO 9001, ISO 14001 and OHSAS 18001 certified

General Specifications

Battery Type	Nominal Voltage (V)	Nominal Capacity (Ah)		Nominal Dimensions (mm)			Typical Weight (Kg)	Short Circuit Current (A) ⁽³⁾	Internal Resistance (mΩ) ⁽³⁾	Terminals
		C ₁₀ /1.80Vpc @ 20°C	C ₁₀ /1.80Vpc @ 35°C	Length	Width	Height				
SBS XL 80F ⁽¹⁾	12	80	82	395	105	264	26.7	1700	7.7	2 x M8 female
SBS XL 80F-FT ⁽¹⁾	12	80	82	417	105	256	26.7	1700	7.7	2 x M6 male
SBS XL 150F-FT ⁽²⁾	12	150	155	561	125	283	50.7	2950	4.4	2 x M6 male
SBS XL 170F-FT ⁽²⁾	12	170	175	561	125	316	58.0	4100	3.0	2 x M6 male

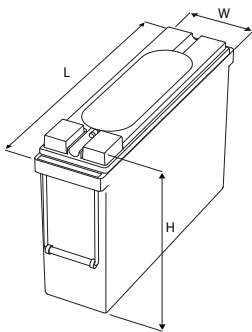
Notes:

⁽¹⁾ Manifold built-in as standard

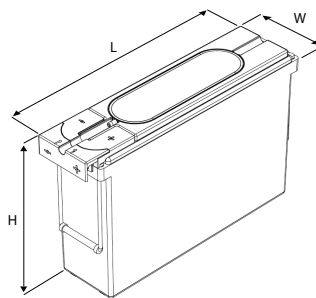
⁽²⁾ Manifold available as an option (increases product height by 12mm)

⁽³⁾ Figures obtained via IEC method

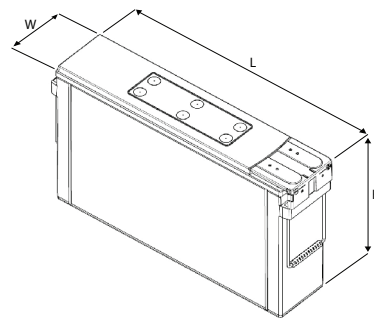
Outline Drawings



SBS XL 80F



SBS XL 80F-FT



SBS XL 150F-FT and SBS XL 170F-FT



EnerSys World Headquarters
2366 Bernville Road, Reading,
PA 19605, USA
Tel: +1-610-208-1991 /
+1-800-538-3627

EnerSys EMEA
EH Europe GmbH,
Baarerstrasse 18,
6300 Zug
Switzerland

EnerSys Asia
152 Beach Road,
Gateway East Building #11-03,
Singapore 189721
Tel: +65 6508 1780

Contact: